



GO BEYOND

ENGINEWISE

INNER COMBUSTION CHAMBER LINER SEGMENT COATING REPAIR

The new OEM coating repair for the V2500- A1/A5/D5 Inner Combustor Chamber Segment restores the coating of the inner liner segment, providing an overall yield increase by an estimated 10% and reduces the total cost of ownership.

SPECIFICS

P&W Engine Manual Ref: [Repair 18](#)

Model: [V2500 A1/A5/D5](#)

ATA#: [72-44-30](#)

SB Ref: N/A

AVAILABILITY

This repair is available from 31-Oct 2018 and will be applicable for the following typical part numbers:

2A3319

2A3322

2A3323

2A4303

2A4307

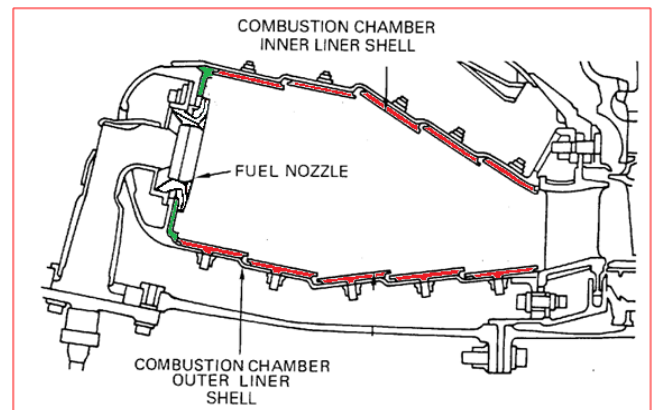
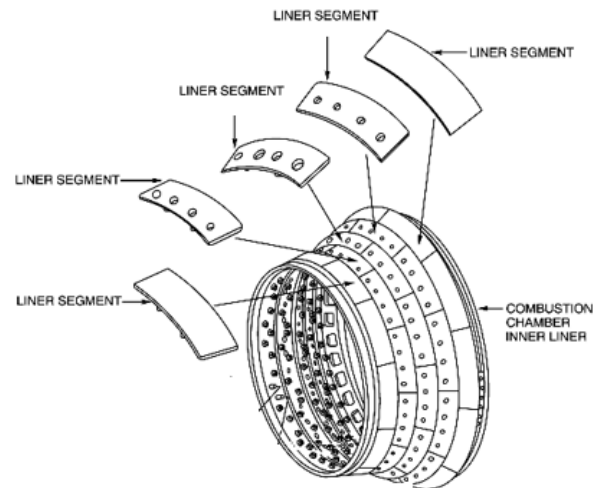
2A4308

BENEFITS

Increases overall yield by an estimated 10%

Reduces total cost of ownership

PART REFERENCE



Component Aerospace Singapore (CAS)
10 Loyang Lane; Singapore 508916

Ivan Wan - Aftermarket Sales Manager
Tel: +886 2 27190395 / Mobile +886 933 923963
Email: ivan.wan@prattwhitney.com