



GO BEYOND

ENGINEWISE

V2500 LPT ACC SUPPORT ASSEMBLY FULL COMPONENT OVERHAUL

MODEL: V2500 A1/A5/D5

ATA #: 75-24-49

P&W ENGINE MANUAL REF: N/A

SB REF: N/A

INTRO:

The new V2500-A1/A5 LPT ACC Support Assembly repair developed by Pratt & Whitney improves part durability and reduces total cost of ownership. By performing the welding and details replacement repairs (refer to Figure 02), this repair capability can help mitigate premature part scrap and allow for prolonged part usage.

AVAILABILITY

This repair is available from 21 June 2018 and will be applicable for the following typical part numbers:

3A2337, 3A2350, 3A2355, 3A2358,
3A2362, 3A2365

BENEFITS

Improve durability of the part
Reduces cost of ownership

PART REFERENCE

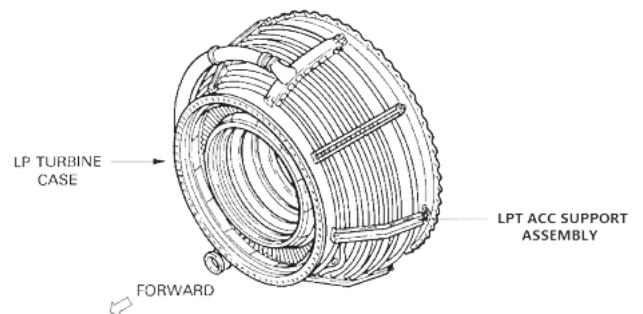


FIGURE 01: LOCATION OF LPT ACC SUPPORT ASSEMBLY

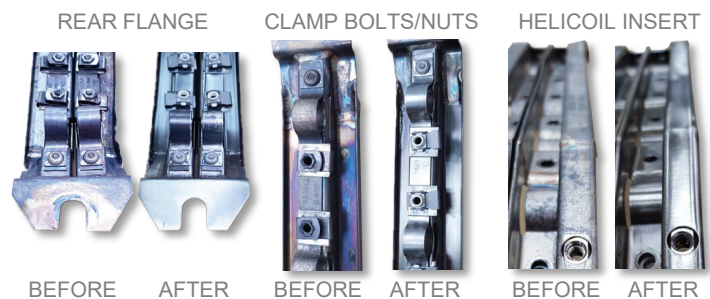


FIGURE 02: EXAMPLE OF LPT ACC SUPPORT ASSEMBLY REPAIR

Component Aerospace Singapore Pte Ltd

10 Loyang Lane, Singapore 508916

Ivan Wan - Aftermarket Sales Manager

Tel: +886 2 27190395 / Mobile: +886 933 923963

Email: ivan.wan@pw.utc.com